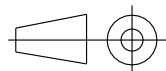
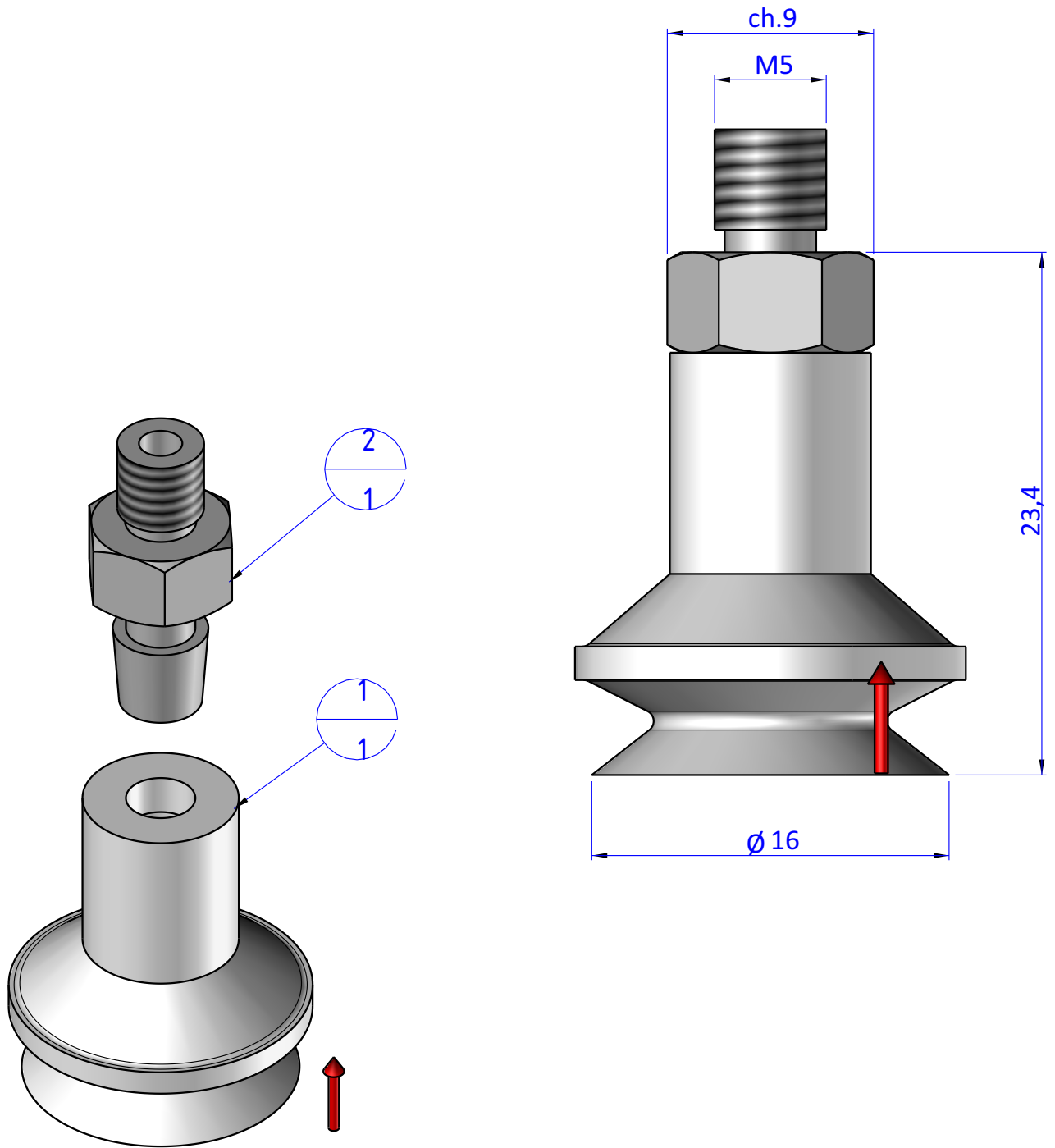


THE PROPERTY OF THE DRAWING IS ESTABLISHED BY LAW. IT IS FORBIDDEN TO PRODUCE OR SHOW IT TO THIRD PART. WITHOUT A WRITTEN AGREEMENT.

| Item | Name         | Q.ty |
|------|--------------|------|
| 1    | CA.08.01.002 | 1    |
| 2    | CA.08.09.004 | 1    |



|                 |         |        |
|-----------------|---------|--------|
| DESIGNED FROM   |         | REVIEW |
| FPS Automation  |         | A      |
| DATE            | WEIGHT  |        |
| 03/11/2020      | 0,002kg |        |
| CODE            |         |        |
| KIT.08.01.D16.4 |         |        |

Format A4

UNI 936-76

GENERAL TOLERANCE

UNI - ISO 2768

CLASSE f

DESCRIPTION

KIT.08.01.D16.4